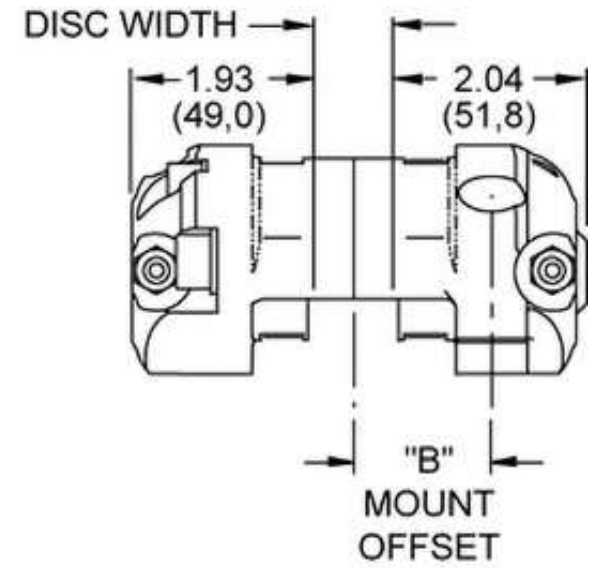


DIMENSION "D1" =
(DISC DIAMETER/2) - 1.61 (40,9)

INLET FITTING: 1/8-27 NPT

DISC WIDTH	"B" MOUNT OFFSET
.38/.50 (9,7-12,7)	1.28 (32,5)
.81 (20,6)	1.45 (36,8)
1.00 (25,4)	1.53 (38,9)



DISC DIAMETER	"E" OUTSIDE RADIUS
10.75 (273,0)	6.15 (156,2)
11.75 (298,4)	6.57 (166,9)
12.19 (309,6)	6.77 (172,0)